

# AQUAFLEX™

Actuator Valve



## 5-POSITION REMOTE DISCONNECT AMI-READY VALVE

Remotely disconnect, reconnect, or reduce flow to your service locations from the comfort and safety of your office

Model: AquaFlex™ AVS Valve

*AQUAFLEX™ AVS AMI-READY VALVE is an IP68 rated remote disconnect ball valve designed with the flexibility to integrate with any existing AMI platform.*

### FEATURE HIGHLIGHTS

- Remotely disconnect, reconnect, or reduce flow to service locations using a compatible 3rd party AMI system
- 5-position Ball Valve
- Male-Female Swivel Nut Valve Body
- Small Mechanical Form Factor
- IP68 Rated for Submersion
- 20-year Battery Life

### PRODUCT DESCRIPTION

#### AMI Compatible

Each AquaFlex includes a 5' serial cable designed with industry standard Geospace Hydroconn® AMR3 (Nicor) or AMR4 (Itron compatible) connections, compatible with most existing AMI endpoints.

#### Five Valve Positions

AquaFlex supports five valve positions (OPEN, CLOSED, REDUCED FLOW 1, 2, 3). Position Reduced 1 is configured for trickle flow at 1-2GPM (60psi) for utilities that do not wish to fully disconnect water service. Reduced flow positions 2 and 3 can be customized to deliver additional reduced flow rates for conservation compliance, or other applications.

#### Swivel Nut

Each residential size valve is designed with NPSM threaded male and female swivel nut (1/2", 3/4", 1"). This allows easy installation directly to meter. Each valve body is NSF61/lead-free certified with a brass body and stainless steel ball.

#### Simple Servicing

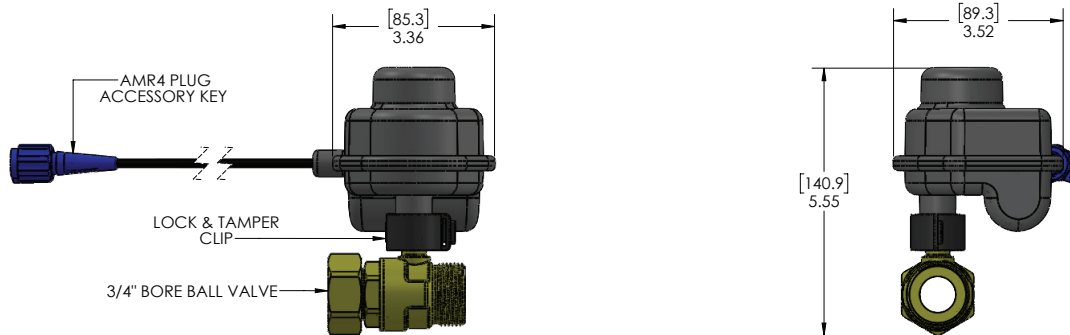
The AquaFlex actuator can be serviced separately from the valve body, enabling you to pre-install a valve body without a controller until valve control is needed, or service them independently.

## MATERIALS & SPECIFICATIONS

Valve Positions	Open, Closed, Reduced-1 (1-2GPM), Reduced-2 (custom), Reduced-3 (custom)
Valve Body Material	Brass Body with Stainless Steel Ball
Case Material	Estaloc 59300
Communication Interface	AMR4 Standard (Itron compatible) or AMR3 optional (Nicor)
Max Operating Pressure	150psi
Operating Temperature	-22°F-140°F (-30°C-60°C)
Min/Max Water Temperature	32.1°F (0.5°C)   Max Water Temp: 140°F (60°C)
Ratings/Certifications	NSF61/Leadfree, IP68
Power	3.6V C-Cell Lithium Metal Battery
Battery Life	20 years (based on 2 position changes per month)
Warranty	20-year limited warranty (10 year full replacement, 10 year prorated)

## DIMENSIONS

Model	Valve Bore Size (in.)	Connection Size (in.)	Threads	Valve Lay Length	Height	Width
AVS 1/2"	1/2"	3/4" NPSM	M/F Swivel	2.30"	5.31"	3.52"
AVS 3/4"	3/4"	1" NPSM	M/F Swivel	2.30"	5.55"	3.52"
AVS 1"	1"	1.25" NPSM	M/F Swivel	2.87"	5.95"	3.52"



Specifications are subject to change at the sole discretion of Aquana, LLC.