

AVS AMI-Ready Valve

5-Position Remote Valve for 3rd Party AMI Systems

Remotely disconnect, reconnect, or reduce flow to your service locations using your existing AMI system

Product Features

- Remotely disconnect, reconnect, or reduce flow to your service locations using your existing AMI system
- Operate directly from a compatible 3rd party AMI system
- 5-position Ball Valve
- Male-Female Swivel Nut Valve Body
- Small Mechanical Form Factor
- IP68 Rated for Submersion
- 20-year Battery Life



Model: AVS AMI-Ready Valve

Product Description

The Aquana AVS AMI-Ready Valve is an IP68 rated remote disconnect ball valve designed to integrate with any existing AMI platform.

AMI Compatible

Each AVS includes a 5' serial cable designed with industry standard Geospace Hydroconn® AMR3 (Nicor) or AMR4 (Itron compatible) connections, compatible with most existing AMI endpoints.

Five Valve Positions

The AVS supports five valve positions (OPEN, CLOSED, REDUCED FLOW 1, 2, 3). Position Reduced 1 is configured for trickle flow at 1-2GPM (60psi) for utilities that do not wish to fully disconnect water service. Reduced flow positions 2 and 3 can be

customized to deliver additional reduced flow rates for conservation compliance, or other applications.

Swivel Nut

Each residential size valve is designed with NPSM threaded male and female swivel nut (5/8"x1/2", 3/4", 1"). This allows easy installation directly to meter. Each valve body is NSF61/lead-free certified with a brass body and stainless steel ball.

Simple Servicing

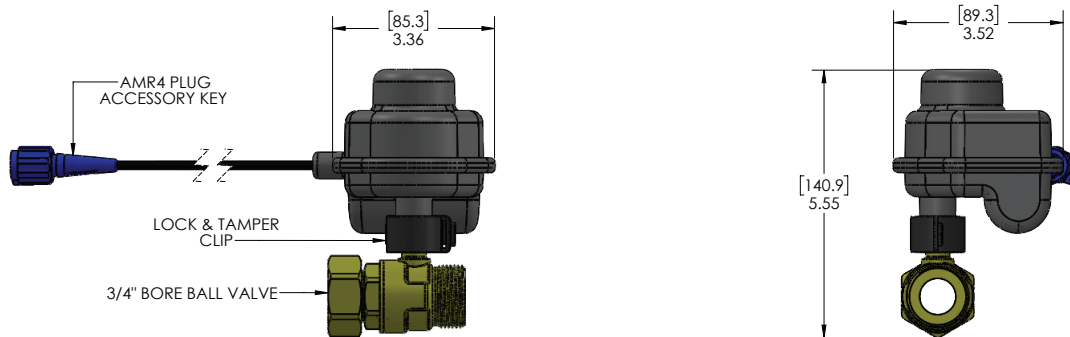
The AVS actuator can be serviced separately from the valve body, enabling you to pre-install a valve body without a controller until valve control is needed, or service them independently.

Materials & Specifications

| | |
|---------------------------|--|
| Valve Positions | Open, Closed, Reduced-1 (1-2GPM), Reduced-2 (custom), Reduced-3 (custom) |
| Valve Body Material | Brass Body with Stainless Steel Ball |
| Case Material | Estaloc 59300 |
| Communication Interface | AMR4 Standard (Itron compatible) or AMR3 optional (Nicor) |
| Max Operating Pressure | 150psi |
| Operating Temperature | -22°F-140°F (-30°C-60°C) |
| Min/Max Water Temperature | 32.1°F (0.5°C) Max Water Temp: 140°F (60°C) |
| Ratings/Certifications | NSF61/Leadfree, IP68 |
| Power | 3.6V C-Cell Lithium Metal Battery |
| Battery Life | 20 years (based on 2 position changes per month) |
| Warranty | 20-year limited warranty (10 year full replacement, 10 year prorated) |

Dimensions

| Model | Valve Bore Size (in.) | Connection Size (in.) | Threads | Valve Lay Length | Height | Width |
|---------------|-----------------------|-----------------------|------------|------------------|--------|-------|
| AVS 5/8"x1/2" | 5/8" | 3/4" NPSM | M/F Swivel | 2.30" | 5.31" | 3.52" |
| AVS 3/4" | 3/4" | 1" NPSM | M/F Swivel | 2.30" | 5.55" | 3.52" |
| AVS 1" | 1" | 1.25" NPSM | M/F Swivel | 2.87" | 5.95" | 3.52" |



Specifications are subject to change at the sole discretion of Aquana, LLC.